



Model: PC3000

Serial #: All

Jul. 27, 2020

Product Bulletin # PC-048 v 2.0

Preparing Padwalkers for Operation and Transportation

This document describes operation and transportation procedures for the PC3000 Automated Power Catwalk Pad Walking System (Pad walkers).

Preparing Pad Walkers for Operation

Lowering the Padwalkers from Shipping Position

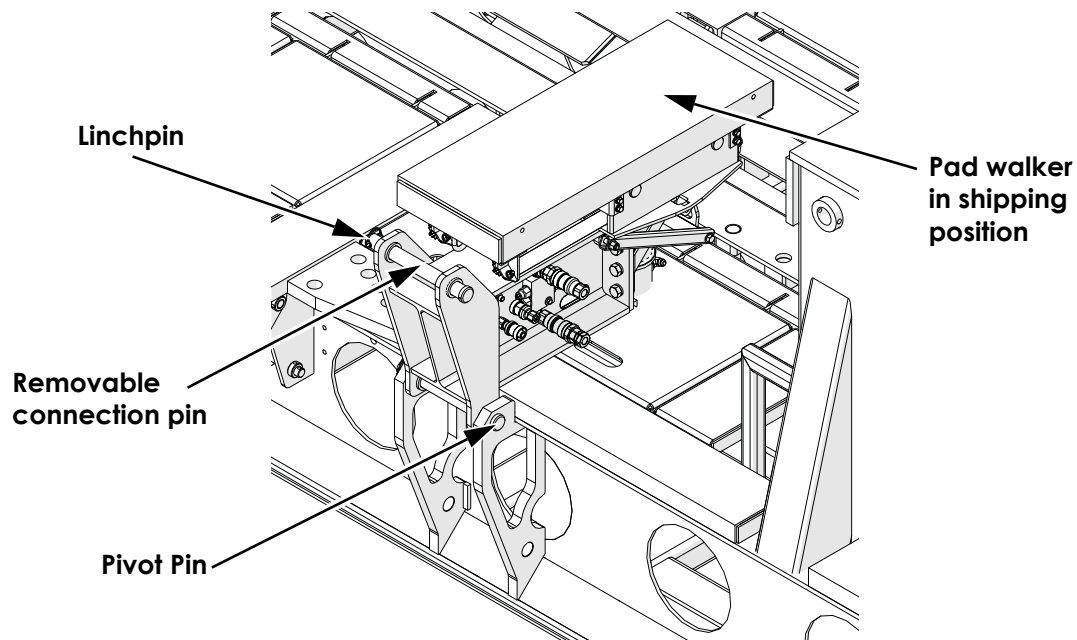


Figure 1: Pad walker in shipping position

1. Remove straps used for transport.
2. Attach a chain to the D-ring (see Figure 2 on page 2) furthest from the edge of the catwalk.
3. Remove the linchpin and connection pin (see Figure 1).
4. Hoist the end of the pad walker and lower it into the deployed position (see Figure 2 on page 2).
5. Align the removable connection pin holes on the pad walker and the catwalk.
6. Insert the connection pin through the holes and secure with linchpin.

- When done using the pad walkers, ensure all the pad walkers are not under load prior to catwalk operations.



Caution! Failure to release the load off of the pad walker circuit may cause hydraulic cylinders to leak.

Preparing Pad Walkers for Transportation

The pad walkers may get damaged if not properly stowed and strapped into shipping position when getting the catwalk ready for transportation.

Lifting the Padwalkers to Shipping Position



Caution! Never lift the pad walkers from the locking linkage or support brackets. Severe damage will occur. Use only D-ring to lift.

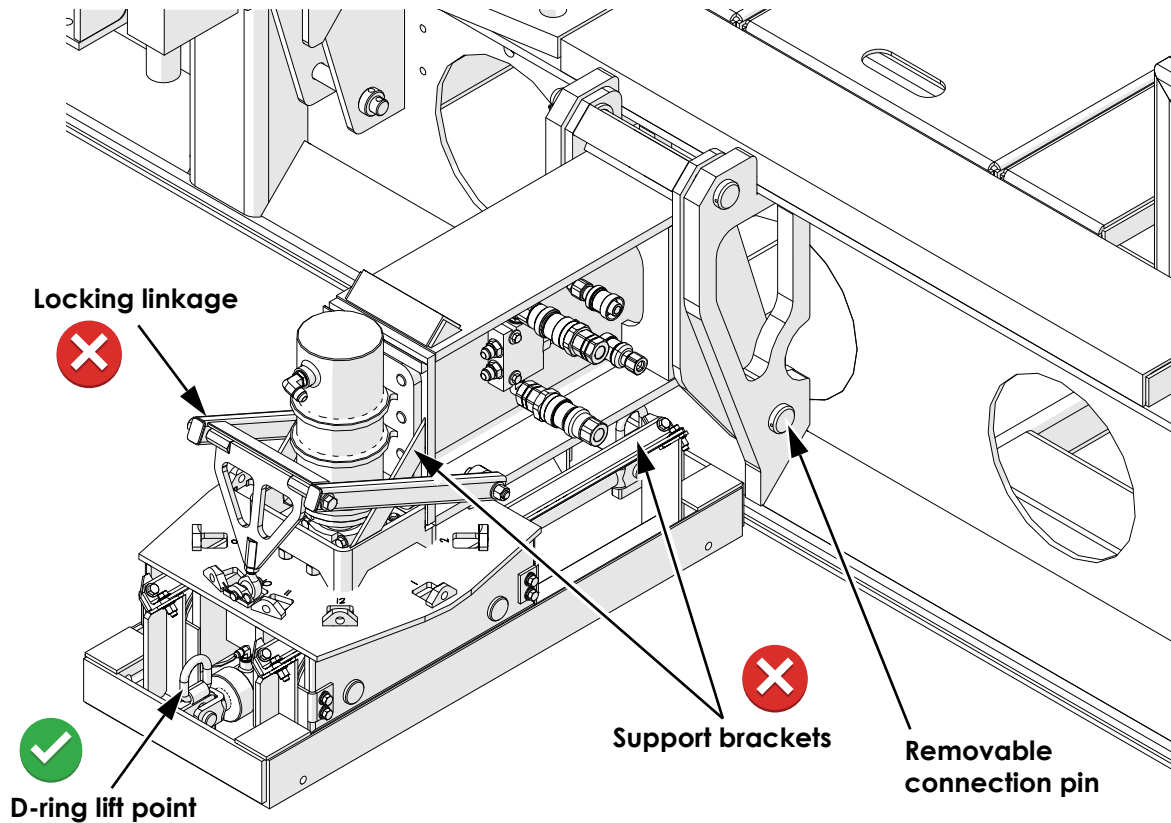


Figure 2: Padwalker in deployed position

1. Remove the linchpin and connection pin holding the pad walker in place and return it to its storage keeper.
2. Attach a chain to the D-ring. See Figure 2 on page 2.
3. Hoist the end of the pad walker and gently lower it into the shipping position. See Figure 1 on page 1.
4. Store the connection pin and secure with linchpin.
5. Remove the chain.

Strapping the Padwalkers

Follow steps below for proper way to strap the pad walkers during transportation. In the shipping position, the pad walker is oriented pad-side up and rests on top of the catwalk (Figure 3).

1. Install the straps from the back of the pad walker frame, then across the top of the pad to the opposite pad walker top of the pad, to the back of the pad walker frame as shown in Figure 3.



Figure 3: Pad walkers properly strapped for transport



Model: PC3000 Serial #: All	Jul. 27, 2020
--------------------------------	---------------

2. Repeat for pad walkers on other end of the catwalk.
3. The pad walkers are ready for transport.
4. Refer to the "PC3000 Pad Walking System IOM Manual" (13-122) for more information about operation, maintenance, and troubleshooting.

Contact RIGLINE 24/7™ for additional information.