



Model: See affected units Serial #: N/A	Aug. 19, 2019
Product Bulletin # TDS-203 v 1.0	

LWCV Cylinder Safety Securement

The locknut holding the LWCV cylinder in place may back off if the nut is not installed correctly. Canrig recommends adding safety securement to the bottom of the LWCV cylinder in the case that the nut backs off.

Affected Units

All top drives with a Canrig manufactured LWCV actuator.

Recommendation

Contact RIGLINE 24/7™ Support to order kit Canrig P/N: AY24420. Install a locking cotter pin on the cylinder rod following the procedure described below.

Table 1: LWCV Cylinder Secondary Retention Kit - P/N: AY24420

Item	P/N	Qty	Description
1	M19770	2	Cotter Pin, 3/4 Clevis Dia, SS
2	LN-1000NC-GR8	2	Locknut, 1-8UNC, Stover, GR8
3	FW-1000-A	2	Washer, F, 1, Plain, Type A

Procedure

1. Perform lock-out/tag-out procedures according to local regulations to isolate all forms of energy to the top drive.
2. Check if there is a hole present on the cylinder rod, if not, then drill one 1/4" hole on each cylinder as shown in Figure 1 on page 2.

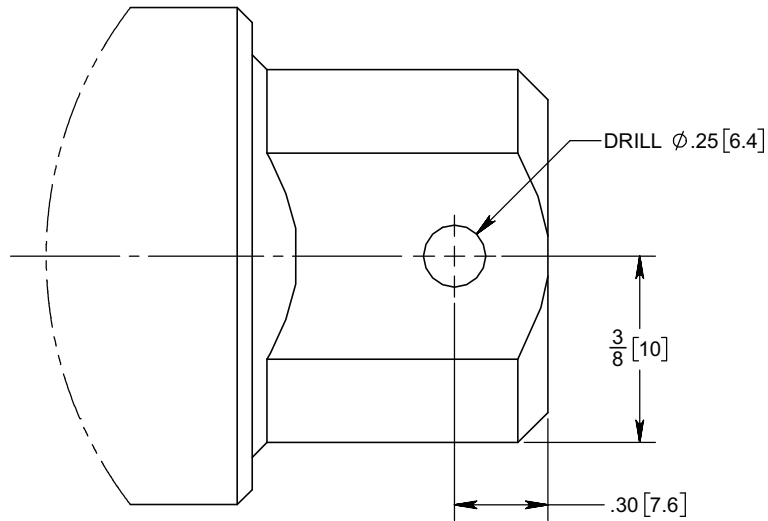


Figure 1: Hole Location on Bottom of LWCV Cylinder

- Assemble washer (P/N: FW-1000-A), locknut (P/N: LN-1000NC-GR8), and locking cotter pin (P/N: M19770) on bottom of cylinder as shown in Figure 2.

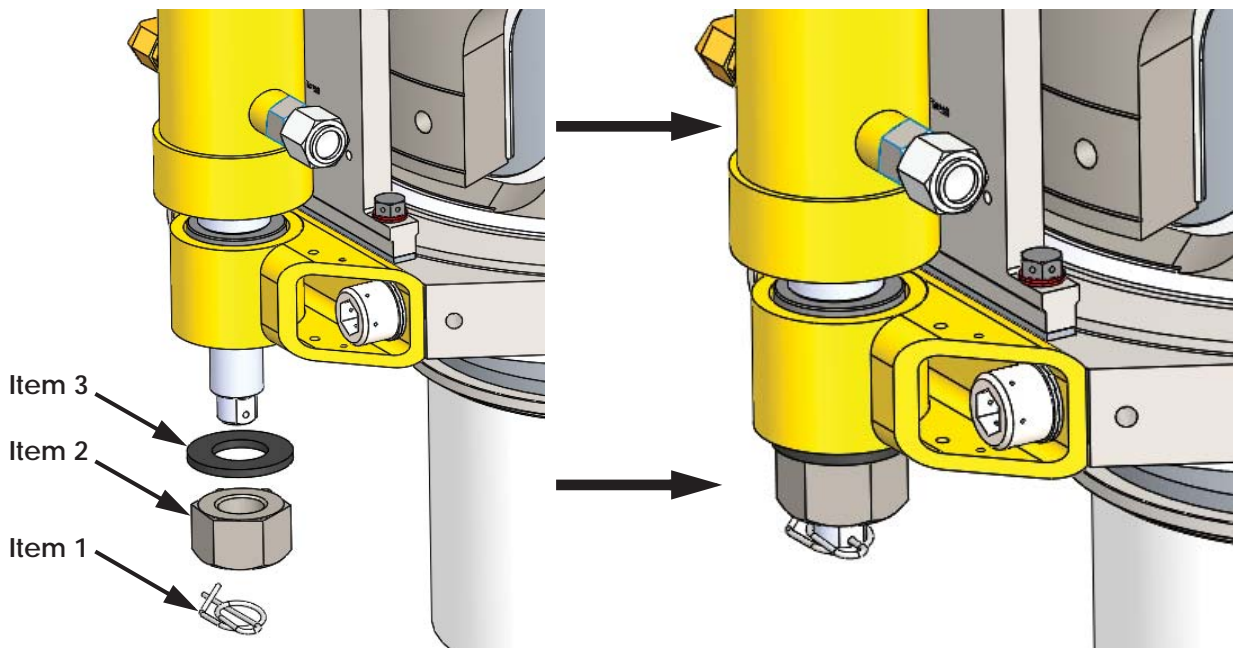


Figure 2: Cylinder Assembly

- Remove lock-out/tag-out and continue operations.