

Model: 175, 275, 350, 500 & 750 Ton Top Drives	December 14, 2016
Serial #: All	
Product Bulletin # TD-135	

Quill Washout Plate Product Improvement

This product bulletin (TD-135) offers a product improvement for the Canrig 175 and 750 ton top drives. A previous bulletin (# 125) offered the same improvements for the 275, 350, and 500 ton top drives. Combining all this information into one new bulletin (TD-135) enables Canrig to replace the previous bulletin. Improvements are discussed in the following paragraphs.

Issue

There have been occurrences of drilling fluid washouts on the top of the quill that often lead to replacement of the quill. Canrig has designed an expendable washout plate to protect the quill in this situation.

Recommendation

Parts are available for all existing 175, 275, 350, 500 and 750 ton top drives. If needed, the replacement parts can be ordered through RigLine 24/7™ Support. See Figure 1 for identification of required parts and refer to the tables on page 6 for specific part information.

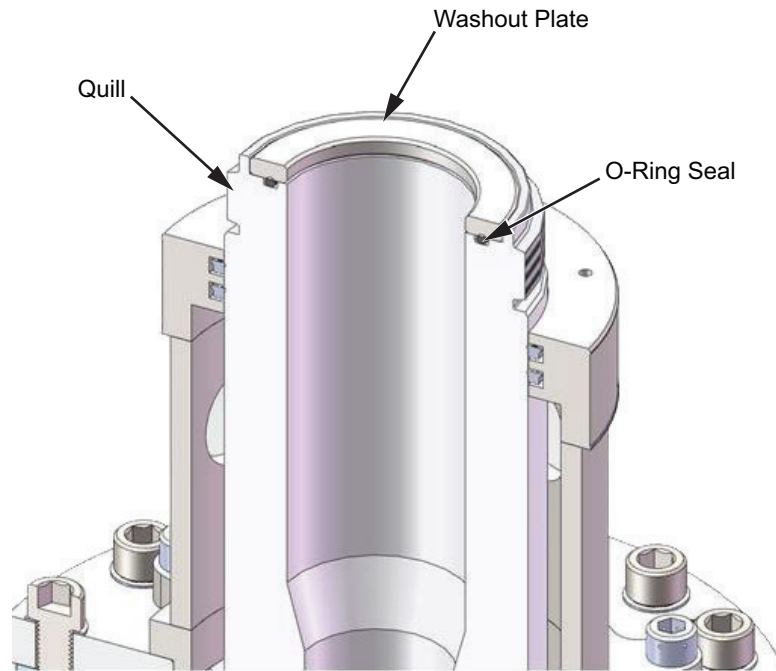
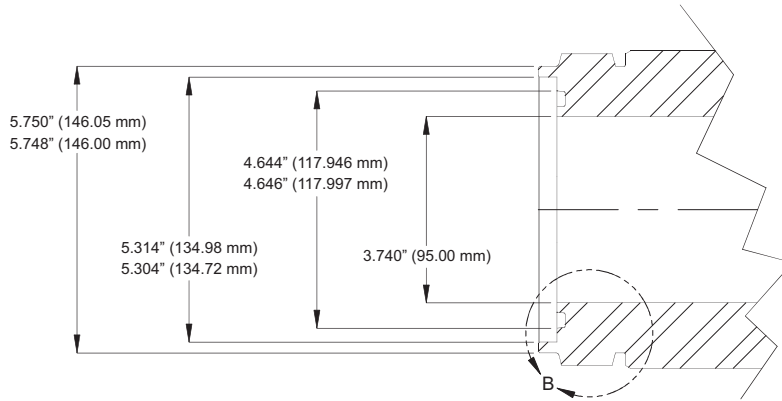


Figure 1: Quill – Cutaway View

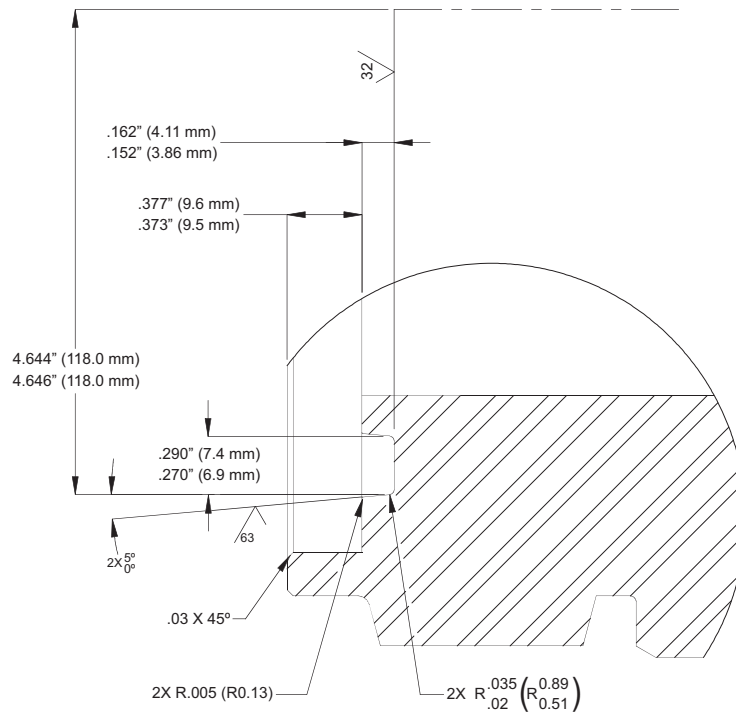
Existing quills can also be modified to accept the washplate and extend the life of the quill. See Figure 2 on page 2 for details of the 275, 350 and 500 ton top drives. Details for the 175 ton top drive appear in Figure 3 on page 3. See Figure 4 on page 4 and Figure 5 on page 5 for details of the 750 ton top drives.

Details

Details for 275, 350 and 500 Ton Top Drives



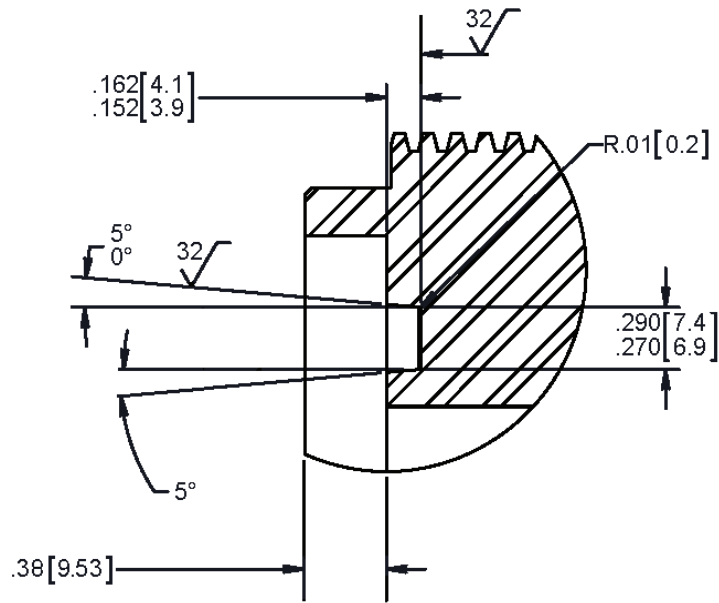
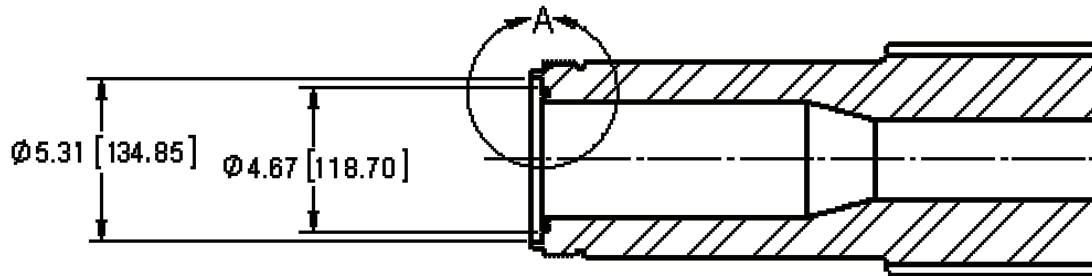
275, 350, & 500 Ton Quill Modification
Section View of Washpipe Retaining Area



Detail B (Scale 2:1)

Figure 2: Upper Quill with New Counterbore Feature for Washout Plate

Details for 175 Ton Top Drives



DETAIL A

Figure 3: 175 Ton Quill Modification
Section View of Washpipe Retaining Area

Details for 750 Ton Top Drives (3 in. Bore)

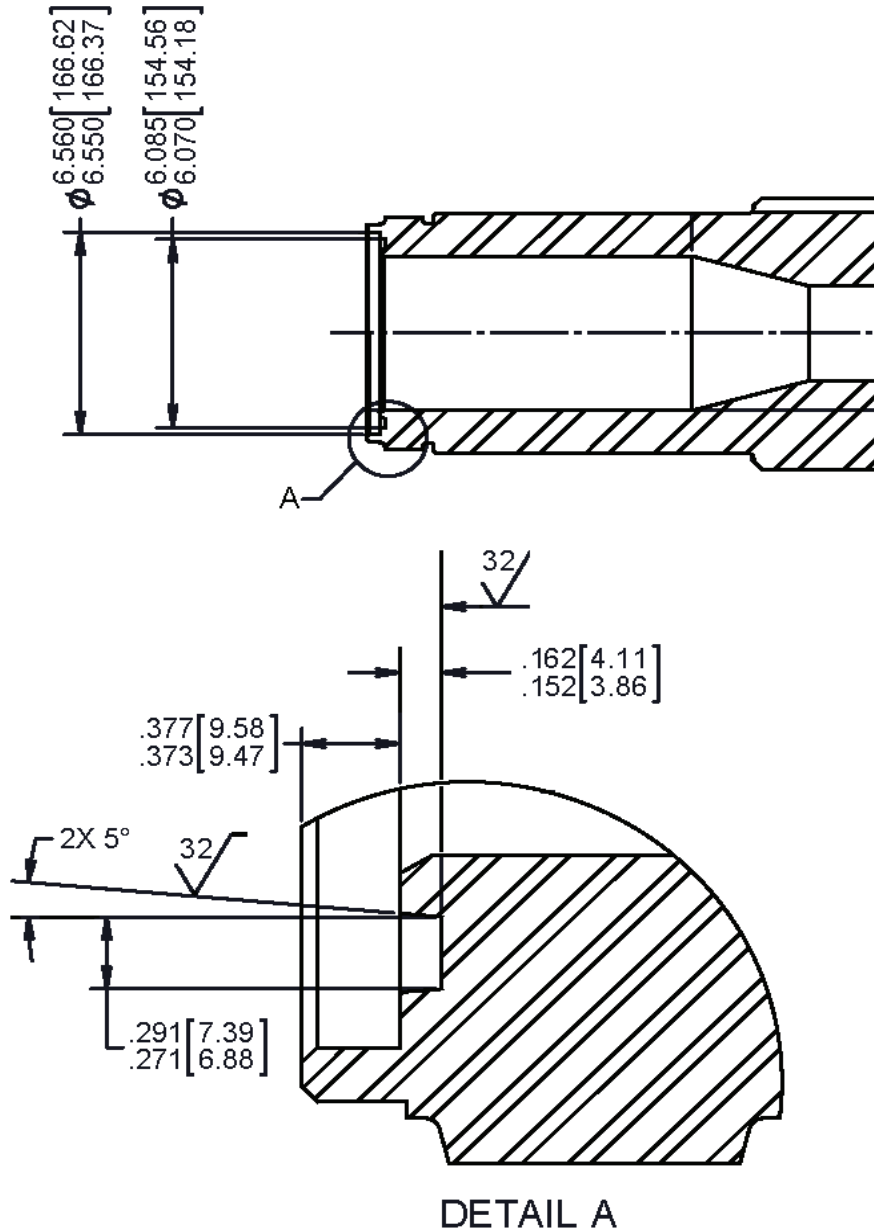


Figure 4: 750 Ton Quill Modification 3 in. Bore
Section View of Washpipe Retaining Area

Details for 750 Ton Top Drive (4 in. Bore)

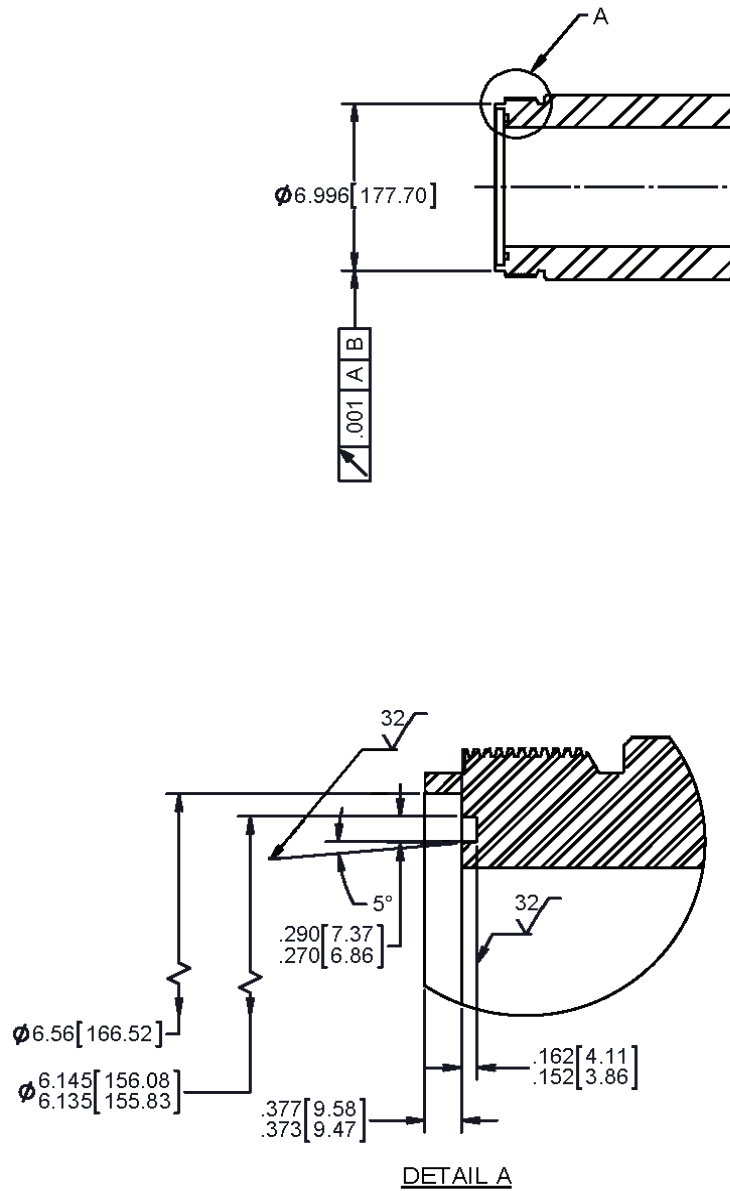


Figure 5: 750 Ton Quill Modification 4 in. Bore
Section View of Washpipe Retaining Area



Model: 175, 275, 350, 500 &
750 Ton Top Drives
Serial #: All

December 14, 2016

Parts

When ordering replacement parts, refer to the following tables for part information. Contact RigLine 24/7™ Support to order parts.

Table 1: 275 Ton Top Drive Quill Parts

Description	Old P/N	New P/N	Quill Installation Kit
Quill	587-09-9	DT31402	AY18825
Washout Plate	–	DT18707	–
O-Ring Seal	–	S01-1347-01N	–

Table 2: 350/500 Ton Top Drive Quill Parts

Description	Old P/N	New P/N	Quill Installation Kit
Quill	741-27-0	DT31476	AY18997
Washout Plate	–	DT18707	–
O-Ring Seal	–	S01-1347-01N	–

Table 3: 175 Ton Top Drive Quill Parts

Description	Old P/N	New P/N	Quill Installation Kit
Quill	DT12794	DT31696	AY17960
Washout Plate	–	DT18707	–
O-Ring Seal	–	S01-1347-01N	–

Table 4: 750 Ton Top Drive 3 in. Bore Quill Parts

Description	Old P/N	New P/N	Quill Installation Kit
Quill	DT13791	DT32539	AY20077
Washout Plate	–	DT18707	–
O-Ring Seal	–	S01-1347-01N	–

Table 5: 750 Ton Top Drive 4 in. Bore Quill Parts

Description	Old P/N	New P/N	Quill Installation Kit
Quill	DT10071	DT32176	AY19844
Washout Plate	–	DT18111	–
O-Ring Seal	–	S01-1359-01N	–